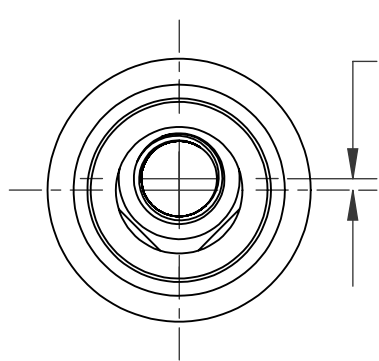
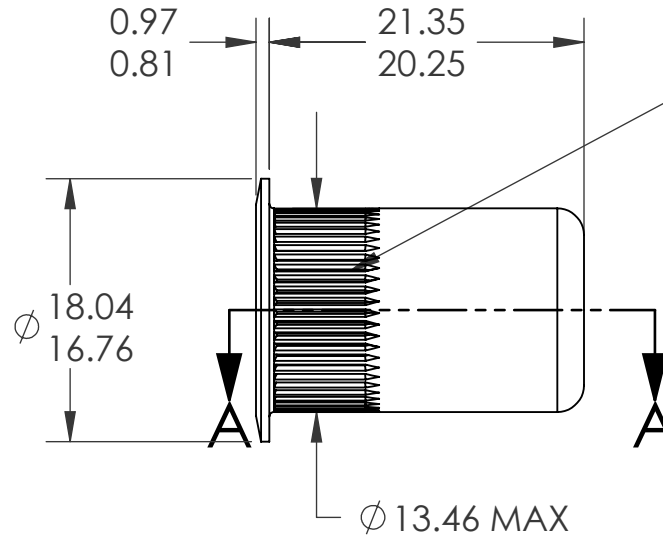


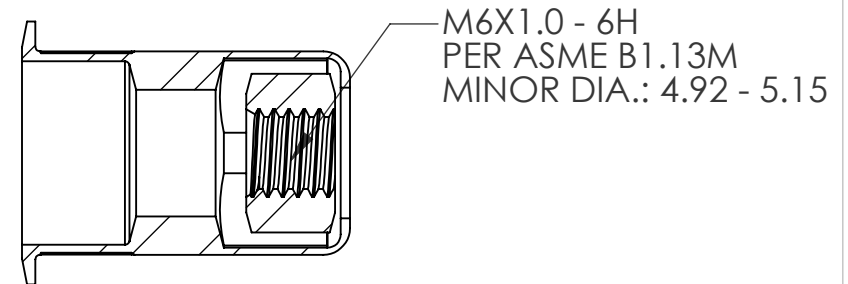
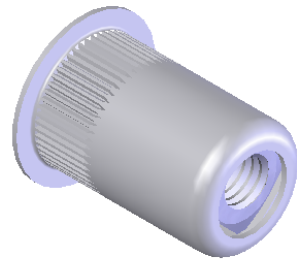
REVISIONS			
REV.	DESCRIPTION	DATE	ECN
A	INITIAL RELEASE	11/4/08	1107
B	CHANGED ANVIL SIZE	2/6/09	1144



0.76  
RADIAL  
DEFLECTION



AXIAL KNURL



SECTION A-A

**NOTE:**

- GRIP RANGE: 0.7 - 3.8
- HOLE SIZE:  $\varnothing 13.50 +0.15/-0.00$  AFTER ALL APPLIED FINISHES.
- INSTALLED LENGTH: 16.00 REF.
- INSTALLED THREAD DEPTH: N/A
- LUBRICATION: NONE
- INSTALLATION TOOL: MS 50 (ANVIL - MA-216-06MMRF)

U.S. PATENT NO. 7,713,011

**PROPRIETARY AND CONFIDENTIAL**

THIS DRAWING, AND THE INFORMATION CONTAINED HEREIN, ARE THE PROPERTY OF SHEREX AND ARE NOT TO BE USED IN ANY MANNER DETRIMENTAL TO THE INTEREST OF THE COMPANY.  
SHEREX SOLUTIONS RESERVES THE RIGHT TO REVISE PART/DRAWING WITHOUT NOTICE.

		UNLESS OTHERWISE SPECIFIED:	NAME	DATE
		DIMENSIONS ARE IN MILLIMETERS TOLERANCES: ANGULAR: MACH $\pm 1$ BEND $\pm 1$ ONE PLACE DECIMAL $\pm 0.10$ TWO PLACE DECIMAL $\pm 0.05$	DRAWN	JVK 11/3/08
		INTERPRET GEOMETRIC TOLERANCING PER: ASME Y14.5M-1994	CHECKED	
		MATERIAL BODY: C1008/1010 NUT: MED. CARBON STEEL	ENG APPR.	JVK 11/4/08
		FINISH BODY AND NUT: ZINC PLATE W/ CLEAR TRIVALENT CHROMATE RoHS COMPLIANT; 8-12 $\mu$ m	MFG APPR.	AP 11/13/08
NEXT ASSY	USED ON		Q.A.	
APPLICATION		DO NOT SCALE DRAWING	COMMENTS: E-mail: info@sherex.com www.sherex.com Phone: 866-474-3739 Fax: 716-875-0358	



TITLE:

LARGE FLANGE RIV FLOAT

SIZE DWG. NO.

**A**

RFL2-610-3.8

REV

**B**

SCALE: 2:1

WEIGHT: .0113 kg

SHEET 1 OF 1